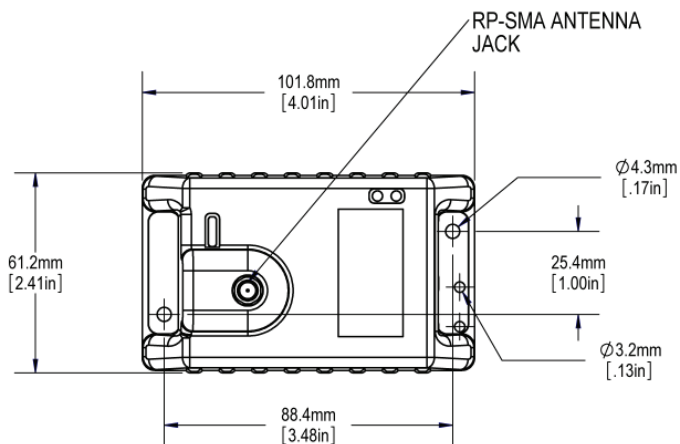


# Industrial Wi-Fi Access Point Data Sheet



## Key Features

- 1 x 10 /100 BASE-TX (Cat. 5, RJ-45)
- Ethernet Interface
- Wireless Approvals: FCC Part 15.247, IC
- Wi-Fi Peak theoretical download speeds of up to 14.1 mbps
- Wi-Fi Distance 300 met. Line of sight
- Supports 802.11b and 802.11g OFDM
- TX Power: 26 dBm
- RF Connector: RP-SMA
- Max Power Consumption: 5 Watts
- Power Method: Passive Power over
- Ethernet (pairs 4, 5+; 7, 8 return)
- Operating Humidity: 5 to 95% condensing
- Shock and Vibration: ETS1300-019-1.4
- SSID
- Security: WPA-TKIP
- WPA Pre-shared Key
- LED

